

640 SERIES BACKER ROD INSERTION TOOLS

Bulletin 408

The Best Just Keeps Gettin' Better!®

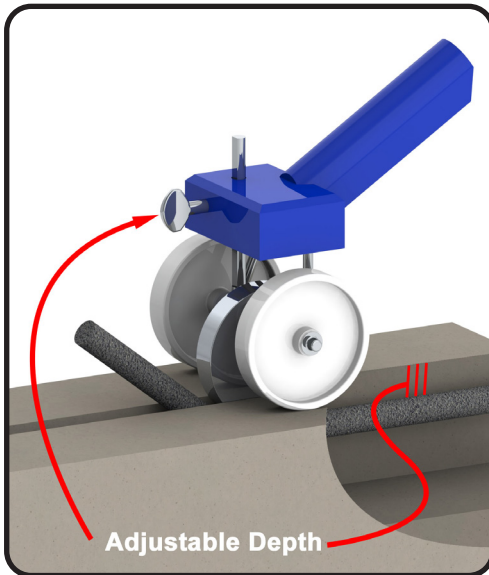
✓Bulk

✓Sausage

✓Cartridge

✓Multi-Component

✓Accessories



Quickly Set Backer Rod with Albion Insertion Tools

- Sets foam backer rod in caulk joints at a consistent depth and without puncturing.
- Fully adjustable to place backer rod up to 1" deep.
- Includes 4 insertion wheels: 640-G02 = 1/8", 640-G03 = 1/4", 640-G04 = 3/8", 640-G05 = 1/2" and 640-G18 tamping blade.
- Accepts standard painter's extension pole or broom handle (876-1 or 876-2).
- For 2" deep saw joints use the 640-G20 aluminum insertion wheel.
- Additional models available see next page.



chemical-concepts.com

800.220.1966

410 Pike Road • Huntingdon Valley, PA 19006

640-5 Standard Model Kit

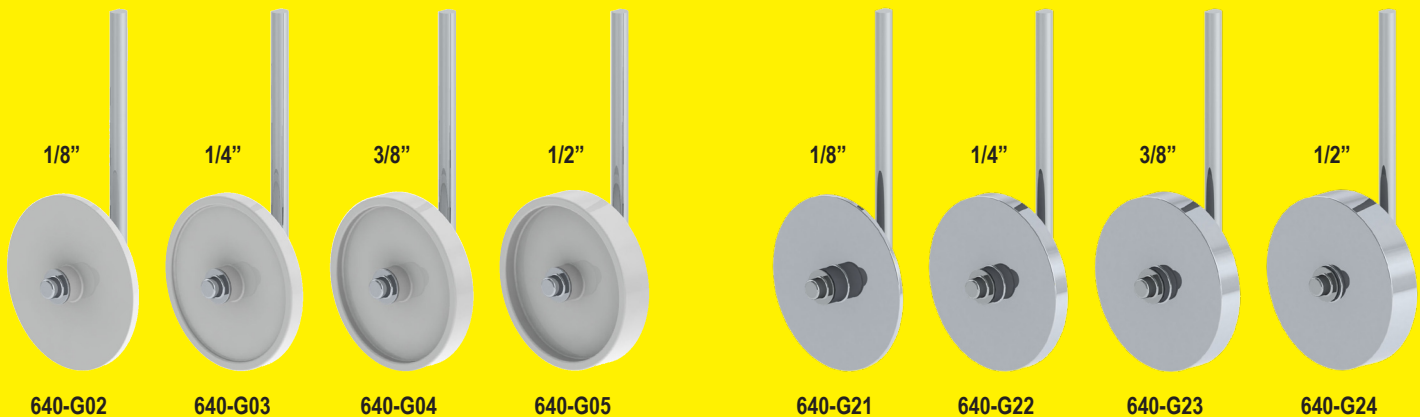


STANDARD PLASTIC INSERTION WHEELS

- *For use on sensitive substrates like glass, aluminum or EIFS.
- To be used with 640-4 and 640-5 insertion tool, does not fit model 640-6.

NEW! ALUMINUM INSERTION WHEELS

- *For use on rough masonry and concrete surfaces.
- To be used with 640-4 and 640-5 insertion tool, does not fit model 640-6.



1250 N Church St., Moorestown, NJ 08057 | 856.235.6688 | Service@albioneng.com | www.albioneng.com

202009

640 SERIES BACKER ROD INSERTION TOOLS

Bulletin 408

The Best Just Keeps Gettin' Better!®

✓Bulk

✓Sausage

✓Cartridge

✓Multi-Component

✓Accessories



640-4 ROAD MODEL KIT

- Epoxy filled reinforced handle to withstand rough surfaces.
- Sets foam backer rod in caulk joints at a consistent depth and without puncturing.
- Fully adjustable to place backer rod up to 1" deep.
- Includes 4 insertion wheels: 640-G02 = 1/8", 640-G03 = 1/4", 640-G04 = 3/8", 640-G05 = 1/2"
- Accepts standard painter's extension pole or broom handle (876-1 or 876-2).



640-6 CORNER MODEL KIT

- Places foam backer rods in corner/perimeter caulk joints.
- Includes 4 offset insertion wheels: 640-G06 = 1/8", 640-G07 = 1/4", 640-G08 = 3/8", 640-G09 = 1/2"
- Same great features as the 640-5.

* 640-3 COMBO KIT ALSO AVAILABLE.

Includes both Standard model 640-5 and Corner Model 640-6.



For installing hundreds of linear feet consider using the Rover Backer Rod Installer (1051-1)

For instructions on how to use this tool scan QR code.

SUBSCRIBE TO OUR
YouTube
CHANNEL



For more information on our products and services visit www.albioneng.com or call 856.235.6688 to request the latest issue of our "Handbook & Catalog 333".



chemical-concepts.com
800.220.1966
410 Pike Road • Huntingdon Valley, PA 19006

1250 N Church St., Moorestown, NJ 08057 | 856.235.6688 | Service@albioneng.com | www.albioneng.com