

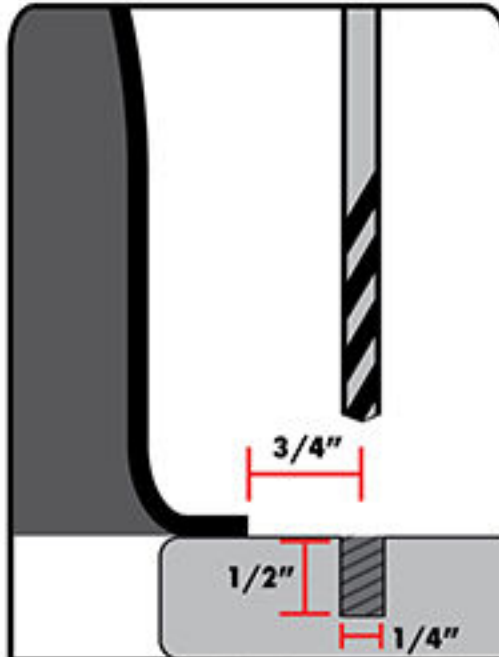
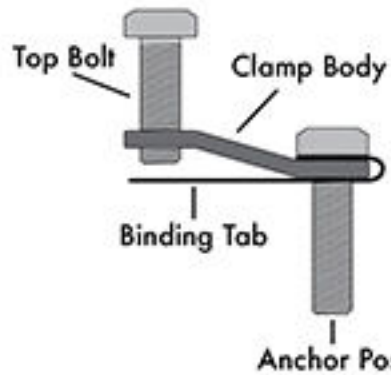
# Sinkits Sink Clamps - Undermount Sink Installation Instructions



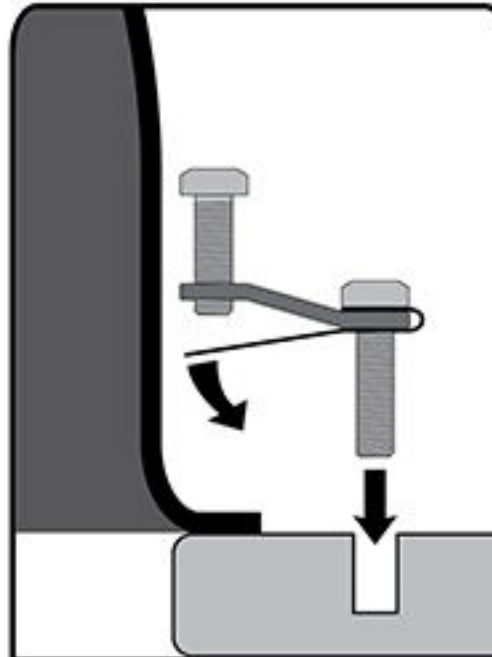
**SAVE TIME AND MONEY!**

Learn about all our products and watch installation videos at:

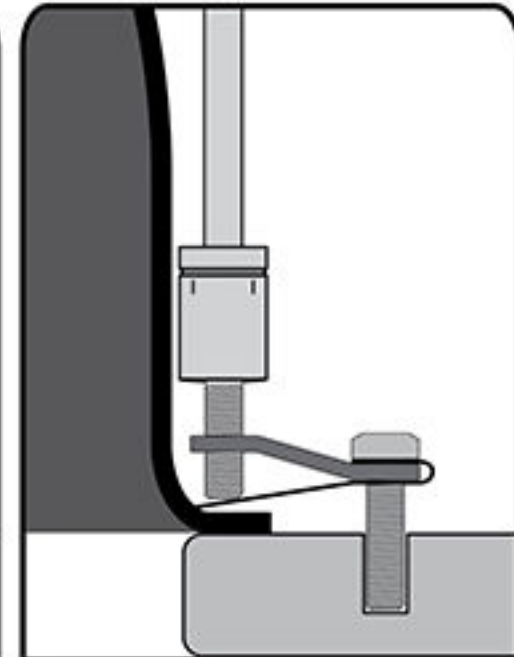
[www.sinkits.com](http://www.sinkits.com)



**Step 1:** Mark the locations to be drilled approximately  $\frac{3}{4}$ " from the edge of sink rim. Bore a  $\frac{1}{4}$ " diameter hole to a minimum depth of  $\frac{1}{2}$ " at each marked location. A preferred depth of  $\frac{3}{4}$ " is allowed on thicker countertops.



**Step 2:** Pre-load the binding tab by bending it away from the clamp body and fully insert the anchor post into the hole. The clamp does not need to be flush to work.



**Step 3:** Tighten the top bolt against the sink rim taking care not to over-tighten.

Please note: The countertop is shown upside down in these installation instructions, but sinks can be mounted from underneath as well.  
 Installation Tip: Use a drill with a minimum speed of 3,000 RPM.