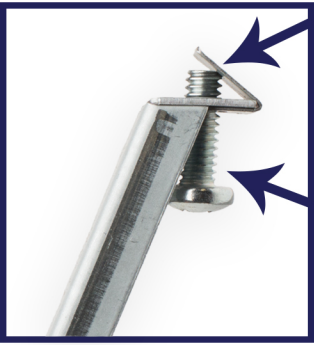


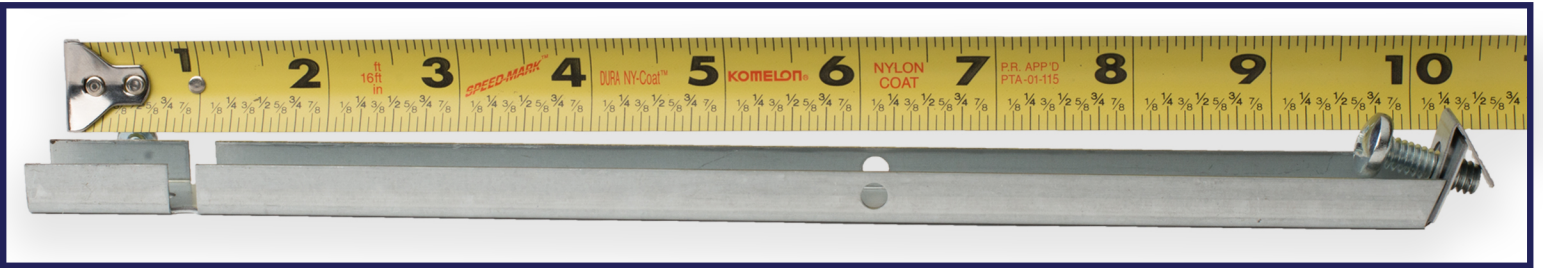
SINKITS LC BRACKET FACT SHEET

UNDERMOUNT SINK BRACKET



BINDING TAB: PREVENTS THE BOLT FROM “WALKING” ON THE SINK RIM. AS THE WEIGHT OF THE SINK PASSES DOWNWARD, IT ALSO CREATES PRESSURE AGAINST THE BOLT, “LOCKING” IT IN PLACE.

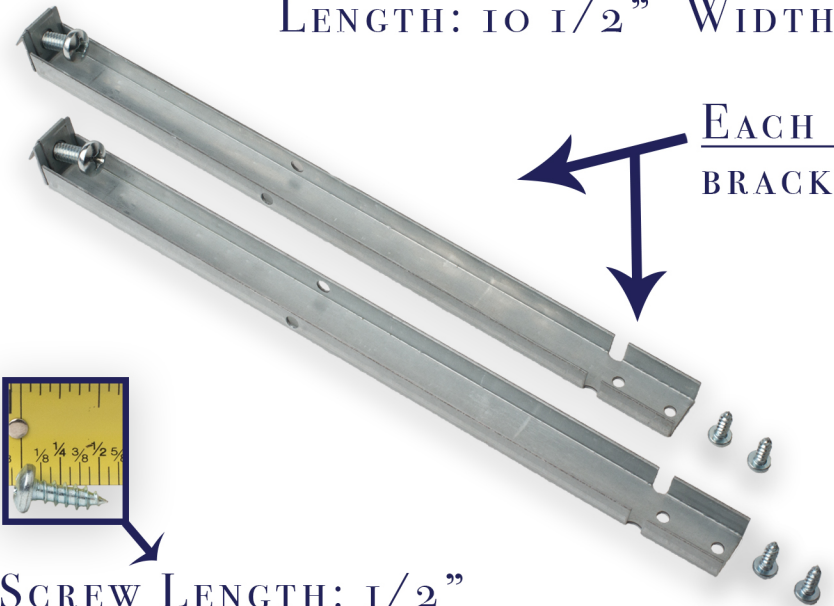
LOCKING BOLT: ALLOWS FOR SNUG ATTACHMENT BETWEEN SINK AND COUNTERTOP. THIS ELIMINATES ERRORS IN MEASUREMENT OR PLACEMENT.



BRACKET MEASUREMENTS:

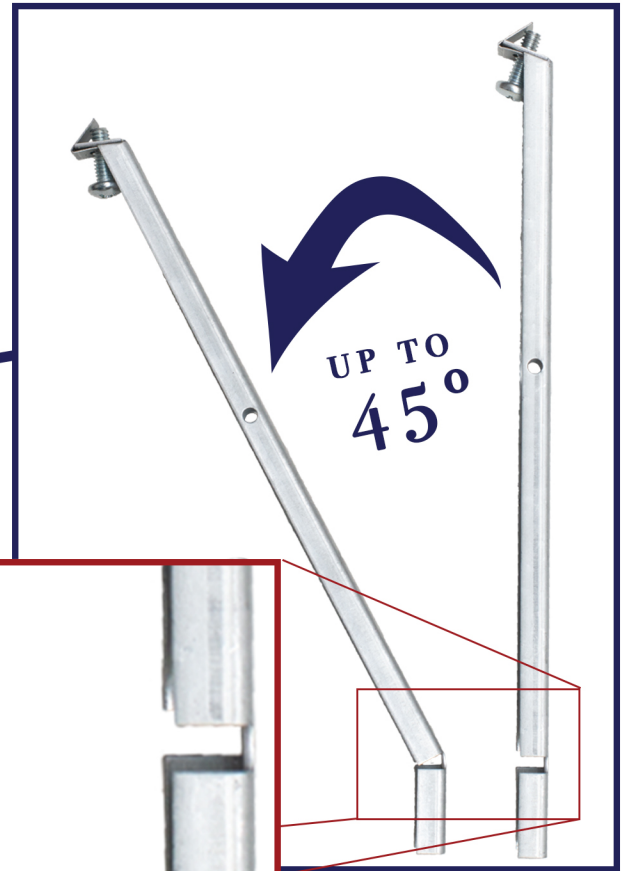
LENGTH: 10 1/2” WIDTH: 3/4” DEPTH: 1/2”

EACH UNIT INCLUDES: TWO (2) BRACKETS AND FOUR (4) SCREWS



SCREW LENGTH: 1/2”

NOTCH: THE BRACKET BENDS AT THIS NOTCH TO MEET THE SPACE REQUIREMENTS. SAFE TO BEND UP TO 45°



UP TO 45°

