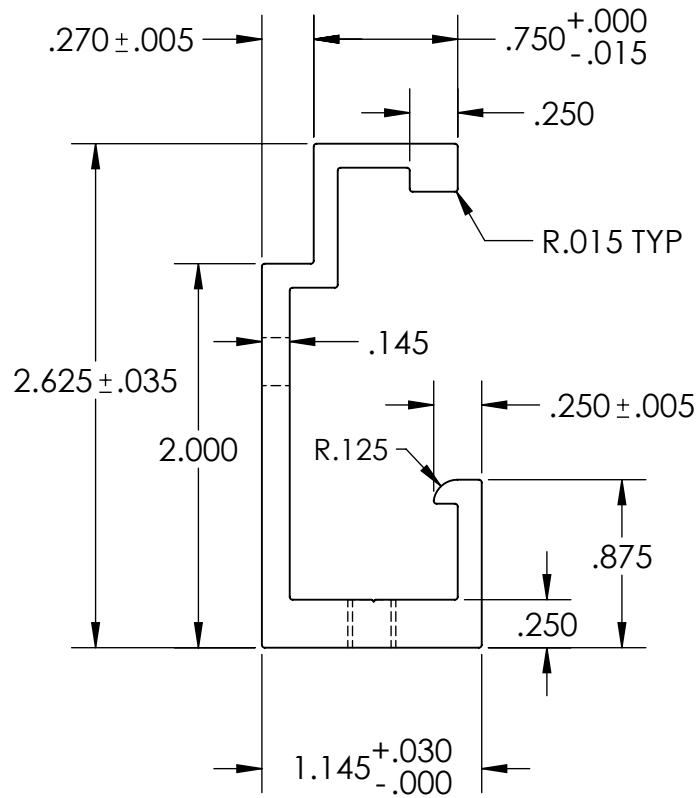
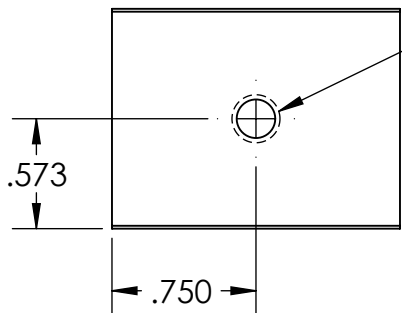
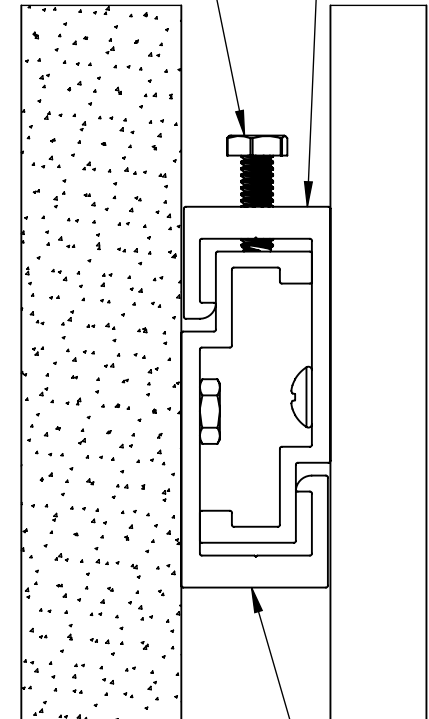


(Available in lengths up to 144")



1/4" x 20 Hex Bolt for Minor Height Adjustments
MFSTR-1125 1.5" Clip



MFSTR-1125 Clip Engaged with MFSTR-1125 Continuous Length Scale 2:3

MFSTR-1125 Continuous Length



	NAME	DATE
DRAWN	EAH	08/28/15
CHECKED	CS	

TITLE:
MFSTR-1125 Clip

PROPRIETARY AND CONFIDENTIAL
THE INFORMATION CONTAINED IN THIS DRAWING IS THE SOLE PROPERTY OF MONARCH METAL FABRICATION. ANY REPRODUCTION IN PART OR AS A WHOLE WITHOUT THE WRITTEN PERMISSION OF MONARCH METAL FABRICATION IS PROHIBITED.

MATERIAL
FINISH
DO NOT SCALE DRAWING

COMMENTS:

SIZE	DWG. NO.	REV
A	MFSTR-1125	C
SCALE: 1:1	WEIGHT:	SHEET 1 OF 1