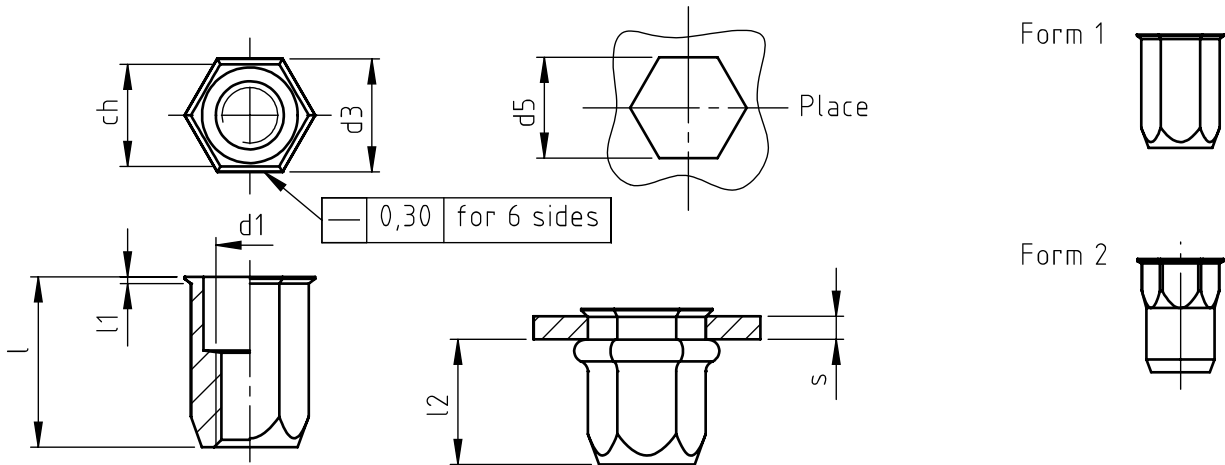


Application: metal and not metal sheets. Boxed and tubular sections.
Assembly: by manual or pneumatic tools.



code	steel	stainless steel	s grip	l	d1 6H	ch	d3	l1 ~	d5 +0,15 0	l2 *
**10447A1/M 3/___	8	--	0,5 ÷ 2,0	9	M 3	5	5,75	0,4	5	6
**10447B1/M 3/___	8	--	2,0 ÷ 3,5	10,5						
10447A1/M 4/___	8	X	0,5 ÷ 2,0	10	M 4	6	6,75	0,5	6	6,5
10447B1/M 4/___	8	X	2,0 ÷ 4,0	12						
10447A1/M 5/___	8	X	0,5 ÷ 2,5	12,5	M 5	7	8	0,6	7	7
10447B1/M 5/___	8	X	2,5 ÷ 4,5	14,5						
10447A1/M 6/___	8	X	0,5 ÷ 3,0	15	M 6	9	10	0,7	9	9,5
10447B1/M 6/___	8	X	3,0 ÷ 5,5	17,5						
10447A1/M 8/___	8	X	0,5 ÷ 3,5	17	M 8	11	12	0,7	11	9,5
10447B1/M 8/___	8	X	3,5 ÷ 6,0	19,5						
10447A1/M10/___	8	X	0,5 ÷ 3,5	21	M10	13	14,5	0,85	13	12,5
10447B1/M10/___	8	X	3,5 ÷ 6,0	23,5						

Non binding dimensions, expressed in mm.

* Dimension determined from the average of the grip "s" min and max values.

** No UNI standard.

For stainless steel material shank can be partially hexagonal,
Form 2 code 10447__2 / M__ / X.

Standard On demand Not manufactured

Ref. UNI 10447 standard

Material: steel nr.1.0303

stainless steel nr.1.4567

Finishing: steel: white zinc-plated

stainless steel: natural

Tolerances: according to UNI standards EN 22768-1

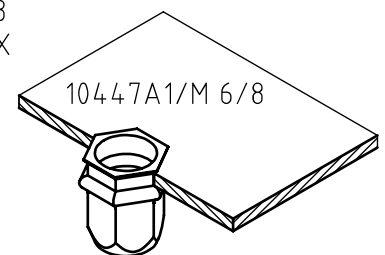
Thread: ISO 6 H metric

Example: threaded rivet nut, low profile head,

hexagonal shank, steel,

grip 2,0 mm, M 6 thread: 10447A1/M 6/8

___ / ___ / 8
___ / ___ / X



SPECIALINSERT - COMMITS ITSELF TO CONTINUOUSLY IMPROVE ITS PRODUCTS - IT RESERVES THE RIGHT TO CHANGE THEIR TECHNICAL AND STRUCTURAL CHARACTERISTICS WITHOUT PRIOR NOTICE - ALL RIGHTS ARE RESERVED AND THE DUPLICATE, EVEN PARTIAL OF THESE DOCUMENTS, AS WELL AS ITS DISTRIBUTION TO THIRD PARTIES ARE FORBIDDEN, UNLESS OTHERWISE AND EXPRESSLY AUTHORIZED BY SPECIALINSERT.