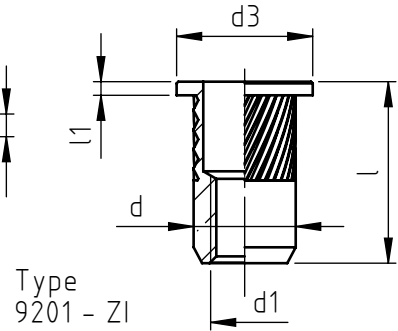
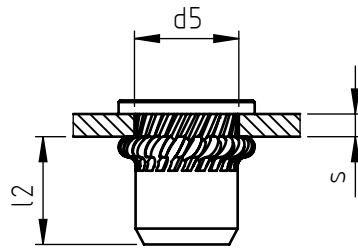
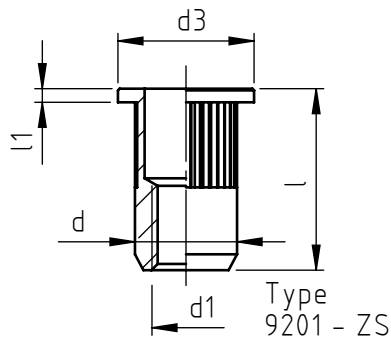


Application: metal and not metal sheets.
Assembly: with special hand or pneumatic tools.



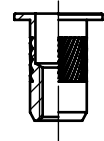
code	steel	steel	stainless steel	s grip	l	d1 6h	d	d3	l1	d5 +0,15 0	l2 *
9201A/M 3/_Z_	8ZI	--	XZI	0,5 ÷ 2,0	9,5	M 3	5	8	0,8	5	6
9201B/M 3/_Z_	8ZI	--	XZI	2,0 ÷ 3,5	11						
9201A/M 4/_Z_	8ZI	8ZS	XZI	0,5 ÷ 2,0	10,5	M 4	6	9	0,8	6	6,5
9201B/M 4/_Z_	8ZI	8ZS	XZI	2,0 ÷ 4,0	12,5						
9201A/M 5/_Z_	8ZI	8ZS	XZI	0,5 ÷ 2,5	12,5	M 5	7	10	1	7	7
9201B/M 5/_Z_	8ZI	8ZS	XZI	2,5 ÷ 4,5	14,5						
9201A/M 6/_Z_	8ZI	8ZS	XZI	0,5 ÷ 3,0	16	M 6	9	12	1,2	9	9,5
9201B/M 6/_Z_	8ZI	8ZS	XZI	3,0 ÷ 5,5	18,5						
9201A/M 8/_Z_	8ZI	8ZS	XZI	0,5 ÷ 3,5	17	M 8	11	14	1,3	11	9,5
9201B/M 8/_Z_	8ZI	8ZS	XZI	3,5 ÷ 6,0	19,5						
9201A/M10/_Z_	8ZI	--	XZI	0,5 ÷ 3,5	21	M10	13	16	1,5	13	12,5
9201B/M10/_Z_	8ZI	--	XZI	3,5 ÷ 6,0	23,5						
9201A/M12/_Z_	8ZI	--	XZI	0,5 ÷ 3,5	25	M12	15	18	2	15	16
9201B/M12/_Z_	8ZI	--	XZI	3,5 ÷ 6,5	28						

Non binding dimensions, expressed in mm.

* Dimension determined from the average of the grip "s" min and max values.

For type B, the knurling might start under the head.

Standard
 On demand
 -- Not manufactured



Ref. UNI 9201 standard

Material: steel nr.1.0718
 steel nr.1.0303
 stainless steel nr.1.4305

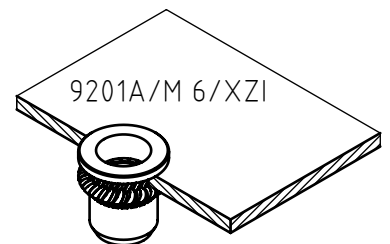
Finishing: steel: white zinc-plated
 stainless steel: natural

Tolerances: according to UNI standards EN 22768-1

Thread: ISO 6 H metric

Example: blind threaded nut, cylindrical head,
 round knurled shank, stainless steel,
 grip 2,0 mm, M 6 thread: 9201A/M 6/XZI

_____ / _____ /8ZI
 _____ / _____ /8ZS
 _____ / _____ /XZI



SPECIALINSERT COMMITS ITSELF TO CONTINUOUSLY IMPROVE ITS PRODUCTS. IT RESERVES THE RIGHT TO CHANGE THEIR TECHNICAL AND STRUCTURAL CHARACTERISTICS WITHOUT PRIOR NOTICE. ALL RIGHTS ARE RESERVED AND THE DUPLICATE, EVEN PARTIAL OF THESE DOCUMENTS, AS WELL AS ITS DISTRIBUTION TO THIRD PARTIES ARE FORBIDDEN, UNLESS OTHERWISE AND EXPRESSLY AUTHORIZED BY SPECIALINSERT.