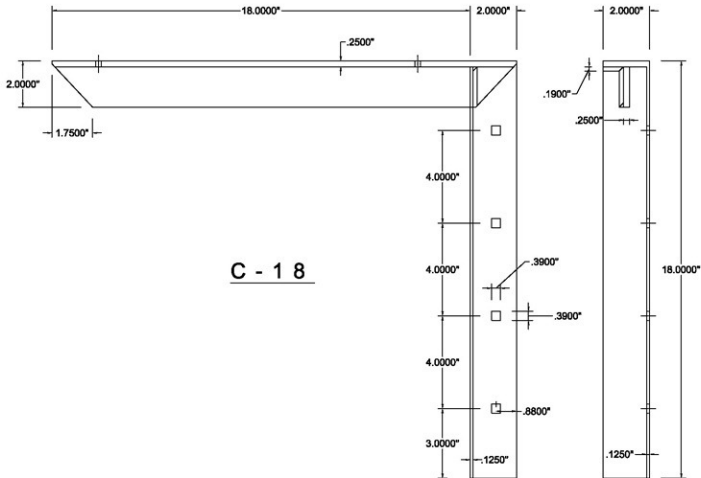
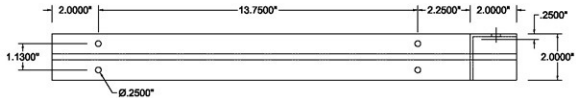
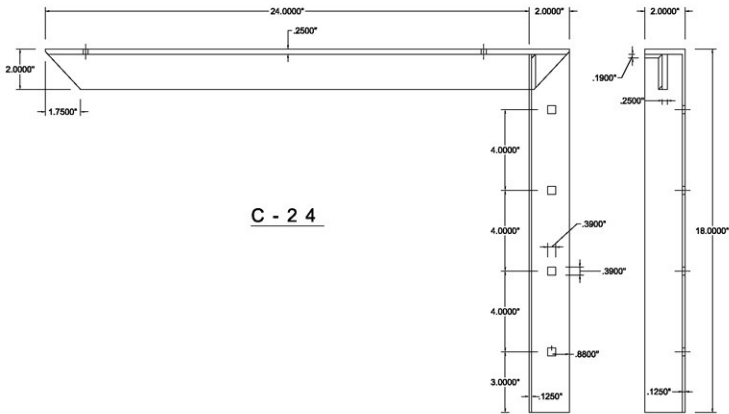
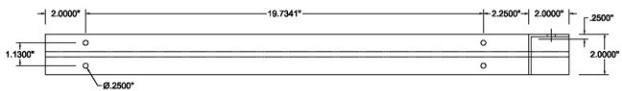
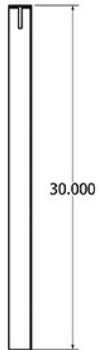
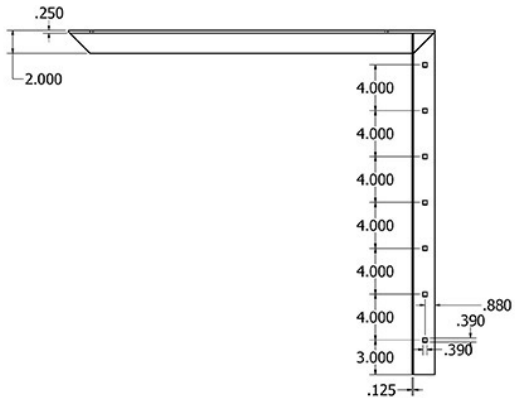
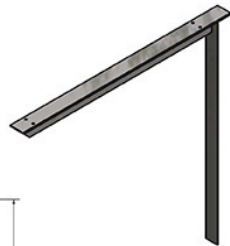
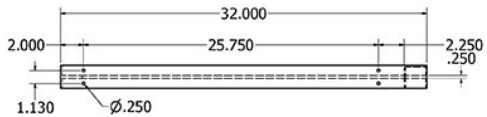


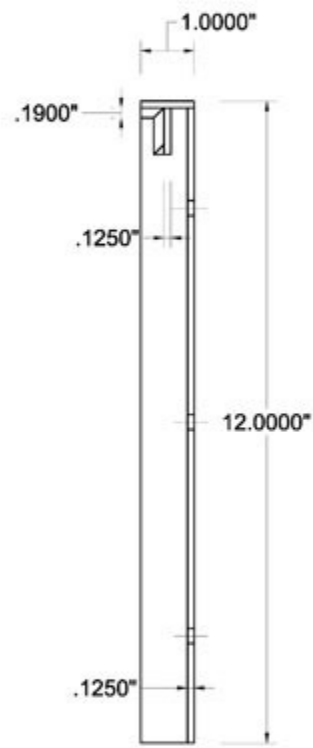
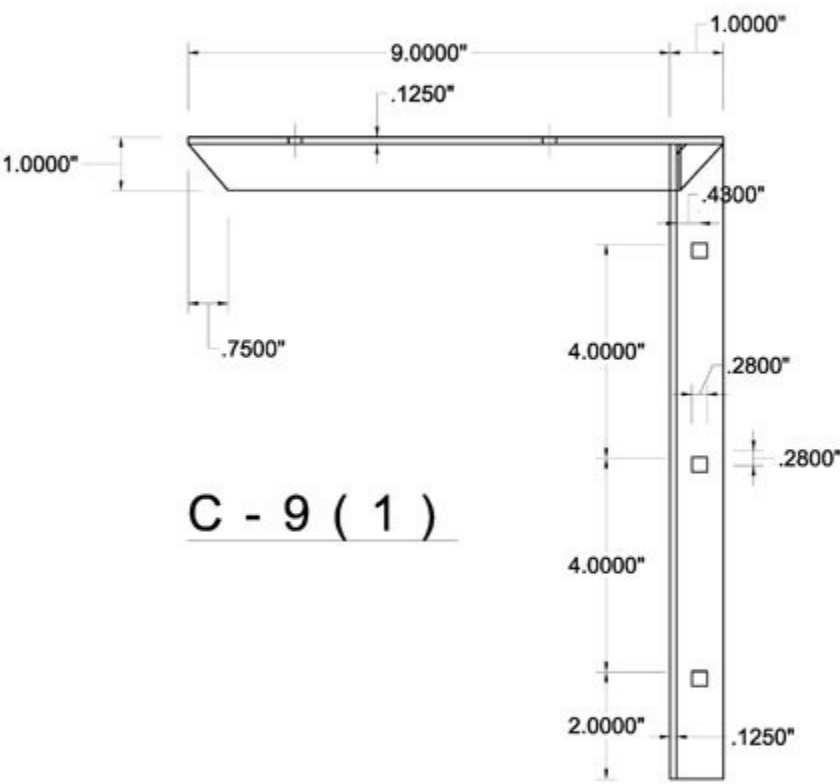
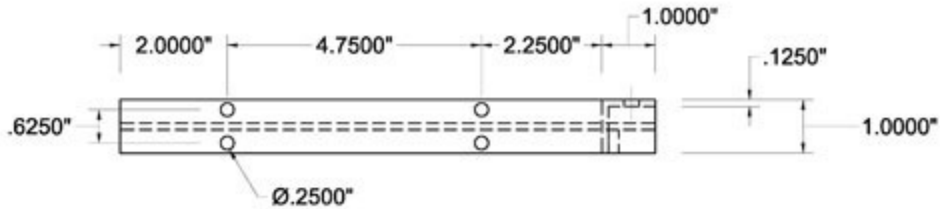
C - 1 2



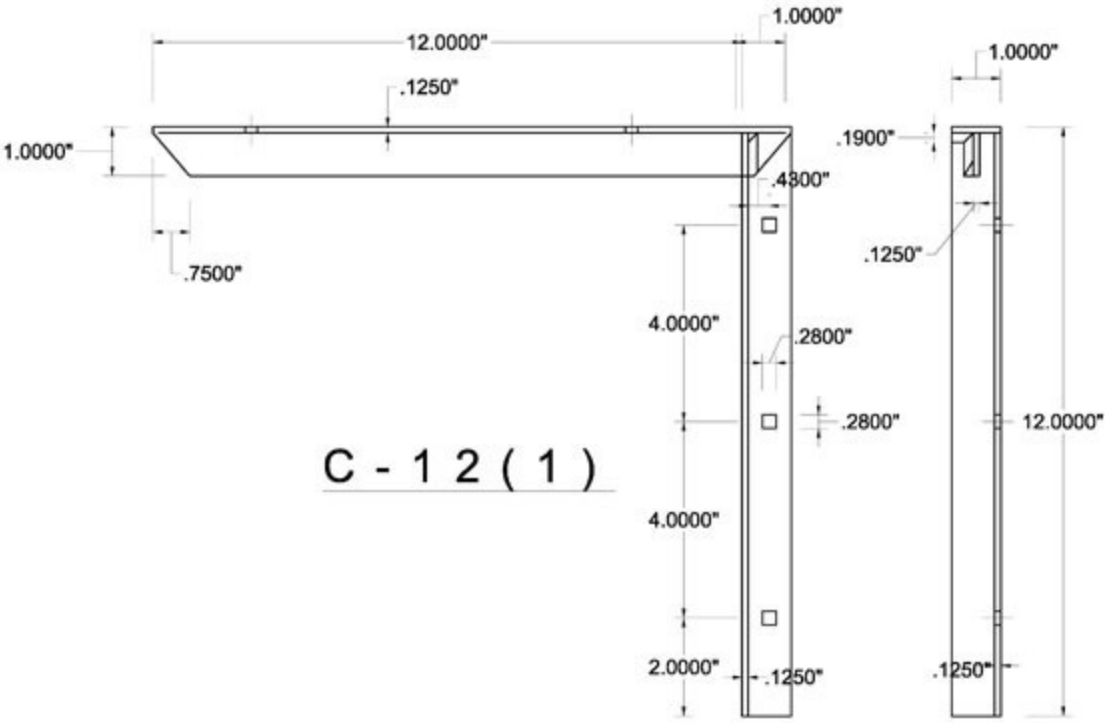
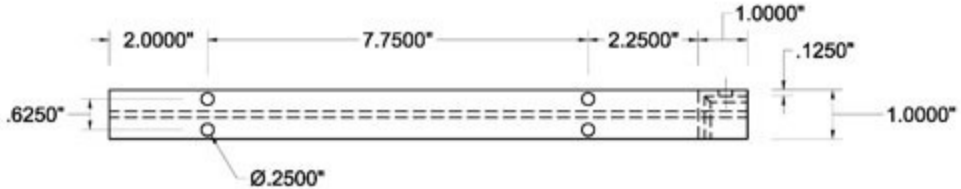




DESIGN	4/12/2017		
SAR			
CHECKED		TITLE	
DR			
ESG			
DRAWN/ISS			
		SIZE	UNITS
		C	C-30
		SCALE	SHEET OF



C - 9 (1)



C - 12 (1)

