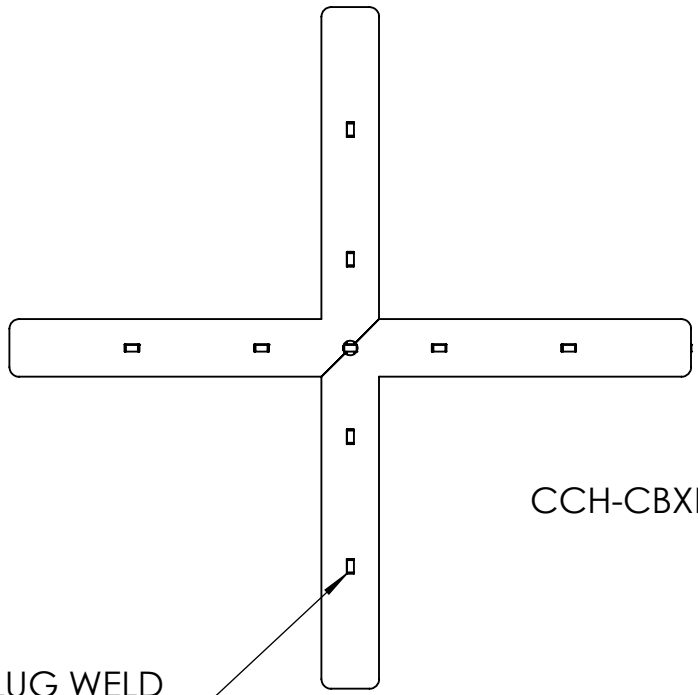
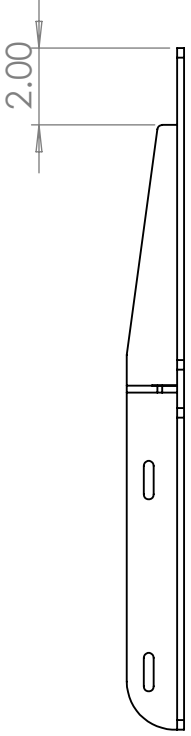


2

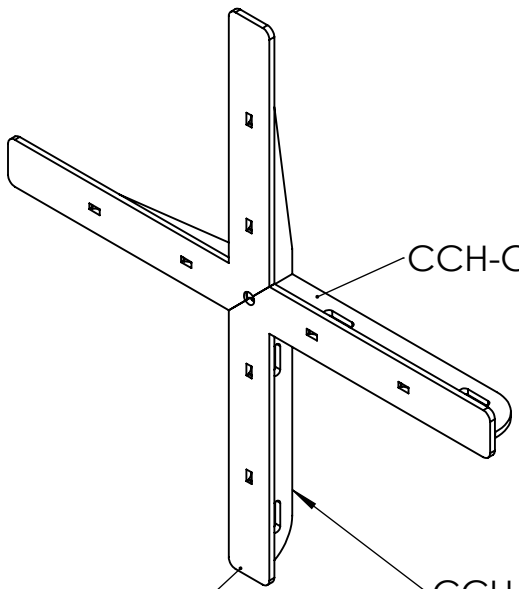
1

B

B



PLUG WELD  
GRIND FLUSH



CCH-CBXBM 5TAB

CCH-CBXBM 4TAB

CCH-CBXBM LBRKT (2)

A

A

**PROPRIETARY AND CONFIDENTIAL**  
THE INFORMATION CONTAINED IN THIS DRAWING IS THE SOLE PROPERTY OF <INSERT COMPANY NAME HERE>. ANY REPRODUCTION IN PART OR AS A WHOLE WITHOUT THE WRITTEN PERMISSION OF <INSERT COMPANY NAME HERE> IS PROHIBITED.

		UNLESS OTHERWISE SPECIFIED:		NAME	DATE
		DIMENSIONS ARE IN INCHES	DRAWN		
		TOLERANCES:	CHECKED		
		FRACTIONAL ±	ENG APPR.		
		ANGULAR: MACH ± BEND ±	MFG APPR.		
		TWO PLACE DECIMAL ±	Q.A.		
		THREE PLACE DECIMAL ±	COMMENTS:		
		INTERPRET GEOMETRIC TOLERANCING PER:			
		MATERIAL			
NEXT ASSY	USED ON	FINISH			
APPLICATION		DO NOT SCALE DRAWING			

7GA HRPO

TITLE:  
**CHEMICAL CONCEPTS  
18 INCH CROSS BAR**

SIZE	DWG. NO.	REV
<b>A</b>	CCH-CBXBM	
SCALE: 1:5	WEIGHT:	SHEET 1 OF 1

2

1