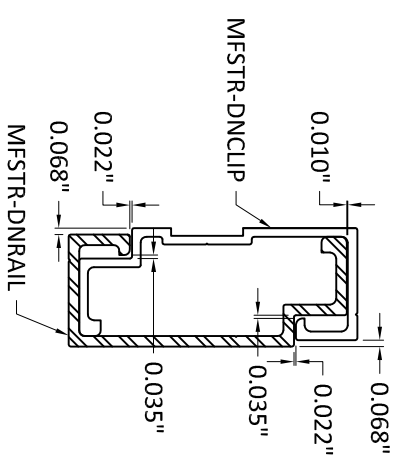
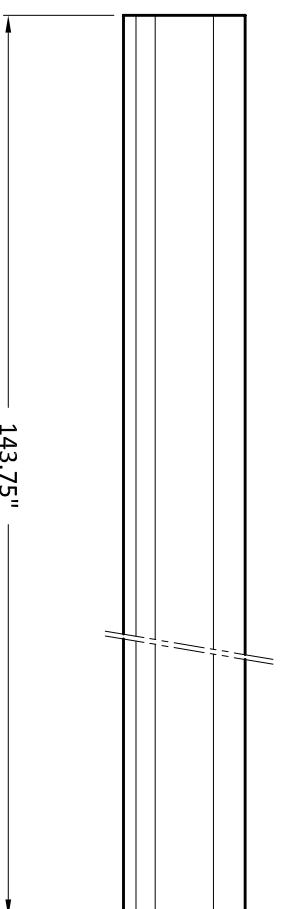


SCALE 1:1



SCALE 1:2



SCALE 1:4

MFSTR-DNCLIP & RAIL PACKAGE WITH NO HOLES

SCALE 1:1

PROPRIETARY AND CONFIDENTIAL

THE INFORMATION CONTAINED IN THIS DRAWING IS THE SOLE PROPERTY OF MONARCH METAL FABRICATION. ANY REPRODUCTION IN PART OR AS A WHOLE WITHOUT THE WRITTEN PERMISSION OF MONARCH METAL FABRICATION IS PROHIBITED.



MATERIAL
6061-T6 Aluminum

FINISH
Mill Finish

DO NOT SCALE DRAWING

NAME	DATE
DRAWN RICKY	07/10/20
CHECKED CHRIS	



TITLE:

MFSTR-DNRAIL

SIZE	DWG. NO.	REV
A4	MFSTR-DNCLIP CLIP & RAIL PACKAGE(no holes)	-

SCALE: 1:1,1:2,1:4 WEIGHT: ≈ lbs/ft SHEET 1 OF 2

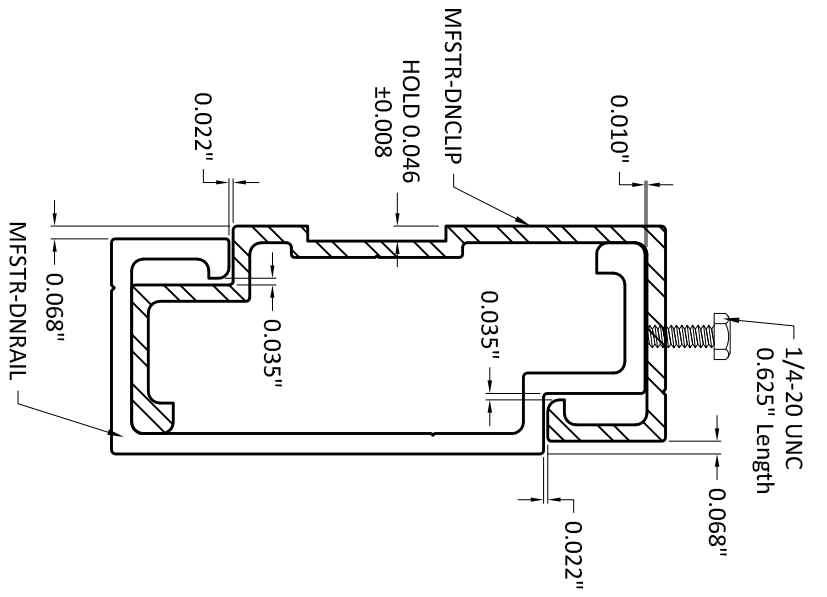
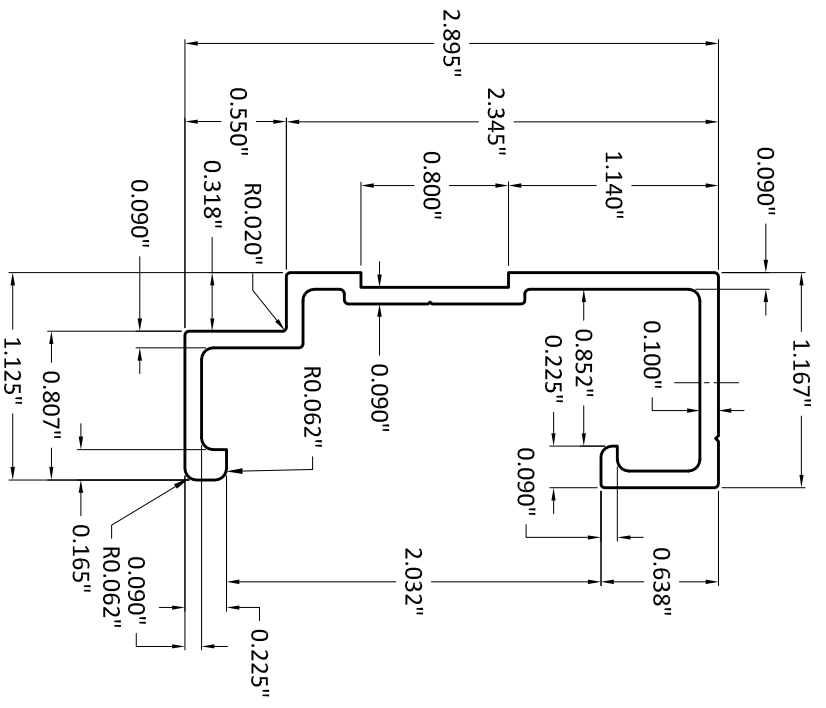
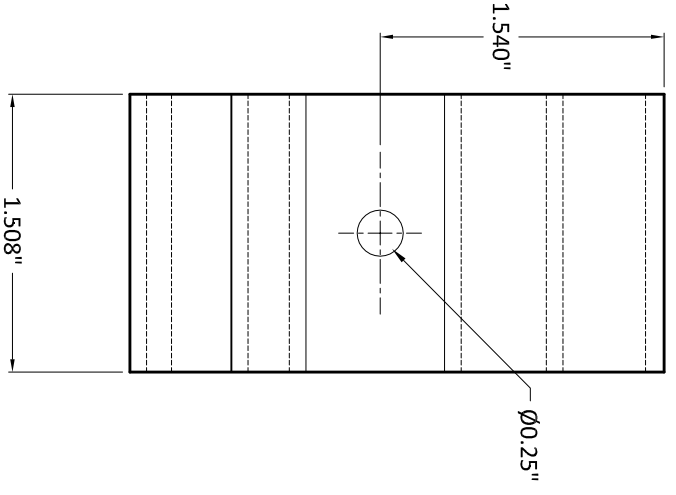
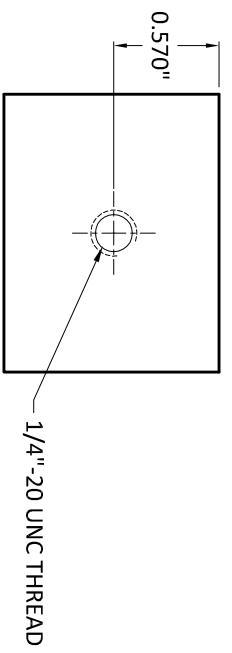
5

4

3

2

1



MFSTR-DNCLIP

PROPRIETARY AND CONFIDENTIAL
THE INFORMATION CONTAINED IN THIS DRAWING IS THE SOLE PROPERTY OF MONARCH METAL FABRICATION. ANY REPRODUCTION IN PART OR AS A WHOLE WITHOUT THE WRITTEN PERMISSION OF MONARCH METAL FABRICATION IS PROHIBITED.

MATERIAL
6061-T6 Aluminum

FINISH
Mill Finish



DRAWN	NAME	DATE
RICKY	RICKY	07/10/20
CHECKED	NAME	DATE
CHRIS	CHRIS	



TITLE:
MFSTR-DNCLIP ADJ

SIZE: A4
DWG. NO.: MFSTR-DNCLIP CLIP & RAIL PACKAGE (no holes)

SCALE: 1:1.1:2
WEIGHT: ≈ 0.08 lbs
SHEET 2 OF 2