

# CounterBalance®

CounterPlate /  
CounterPlate XL

3.75 X 9.75 | CCH-CBP  
3.75 X 11.75 | CCH-CBPL

## COUNTER

# BALANCE®

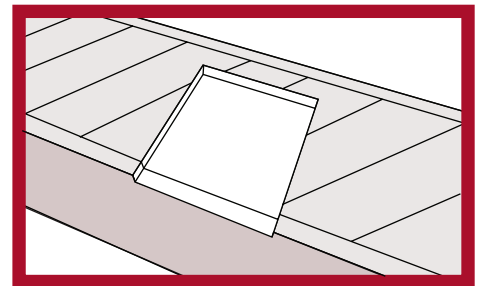
The support you don't see.

## Installation Instructions

The CounterPlate is designed to attach to half walls or pony walls, supporting overhangs on "breakfast bar" style countertops. The CounterPlate can support up to a 13" overhang. The CounterPlate XL can support up to 15" overhang.

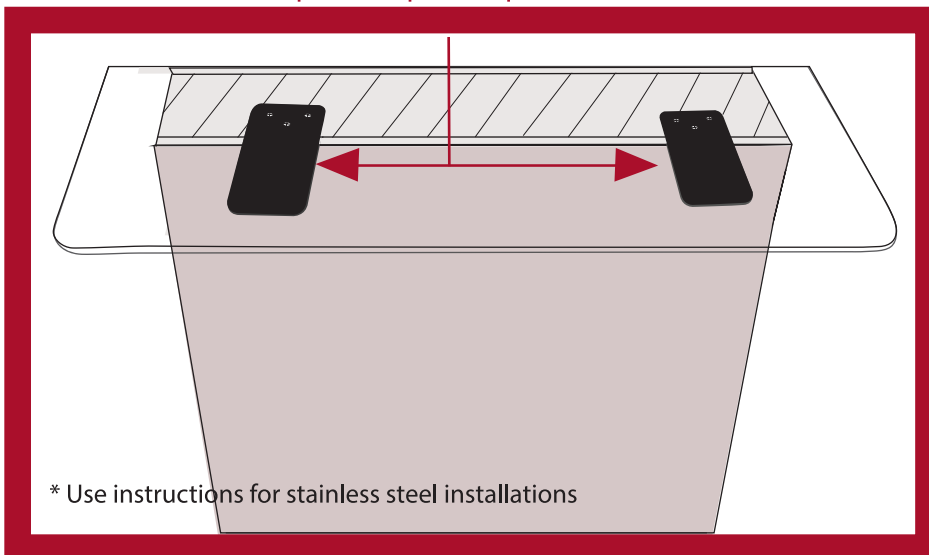
### CounterPlate & CounterPlate XL Routed Install

- 1) Place plate where support is needed making sure to leave 1/2" of wood stud wall and trace shape onto stud wall.
- 2) Using the router with 1/4" bit, router out traced shape.
- 3) Place plate into routed area and mark holes for drilling, remove plate.
- 4) Drill pilot holes and place plate back into position and attach with the provided screws.
- 5) Repeat steps as necessary for additional plates.
- 6) Apply a silicone sealant to the top of the brackets to secure them to the underside of the counter surface and set countertop into position. Rated up to 500 lbs.

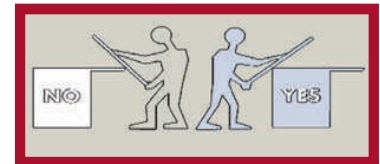


Check out our installation videos:  
[youtube.com/user/ShopCB](https://www.youtube.com/user/ShopCB)

Supports should be spaced no more than 16" to 20"  
apart for optimum performance



### Counter Top Setting Instructions



NEVER set tops directly on plate or bracket at an angle when setting tops.

ALWAYS set tops from opposite side of stud wall or from front of cabinet.



The **CounterBalance CounterPlate & CounterPlate XL** were designed to provide cost efficient, quick, easy installs to support overhangs on stone and solid surface countertops. These products give your customers alternative to banging their knees on pricey corbels and provide superior support and security. These low-profile brackets are hidden from view offering a clean, modern look.

Order online at [counterbalanceshop.com](https://counterbalanceshop.com) or call 1.800.220.1966

These are general guidelines for installation methods, and may not apply to your application. Always consult a qualified contractor and follow their recommendations for proper installation.

MADE IN USA

Chemical Concepts  
410 Pike Road  
Huntingdon Valley, PA 19006

# CounterBalance®

IslandBar / IslandBar Mini

CCH-CBIB | CCH-CBIBM

## COUNTER

# BALANCE®

The support you don't see.

## Installation Instructions

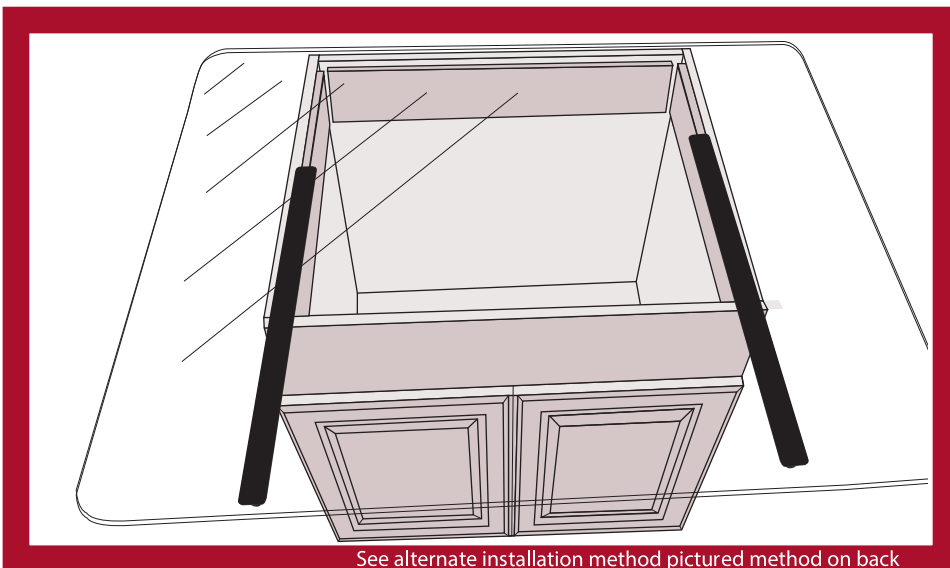
The CounterBalance IslandBar / IslandBar Mini are designed to attach to the left or right cabinet wall, supporting overhangs on "island" and "peninsula" countertops above cabinetry. The IslandBar can support up to an 18" overhang. The IslandBar Mini is ideal for 10-15" overhangs.

### IslandBar / IslandBar Mini Routed Install

- 1) Select locations to install IslandBars. IslandBars should be installed no more the 16"-20" apart for optimum performance.
- 2) The IslandBar has a notch to aid installation when installed at full length. The IslandBar can also be installed further back into the cabinet to accommodate overhangs shorter than 15". Position IslandBar on the cabinet so that the edge of the bracket will sit 3"-6" back from the edge of your counter surface once installed. Scribe a line on the cabinet wall just behind the rear edge of the bracket.
- 3) Using the router with 1/4" bit, route top of cabinet to line at 3/16" depth so that the IslandBar will sit flush on the cabinet.
- 4) Trace the "T" profile of the bracket onto the face of the cabinet and mask the surrounding area.
- 5) Using a circular saw, or oscillating multitool, cut out the marked area and test fit the bracket as necessary.
- 6) Place bracket onto top of routed cabinet, mark point in each slot to be drilled, remove bracket.
- 7) Drill holes, place bracket back into position and attach with screws. Repeat as necessary and set top into position.
- 8) Apply a silicone sealant to the top of the brackets to secure them to the underside of the counter surface and set countertop into position. Rated up to 500 lbs.



Check out our installation video  
[youtube.com/user/ShopCB](https://www.youtube.com/user/ShopCB)



See alternate installation method pictured method on back

When used with overhangs less than 15", the IslandBar can be positioned further into the cabinet. Supports should be spaced no more than 16" to 20" apart for optimum performance.

The CounterBalance IslandBars are designed to provide cost efficient, quick, easy installs to support overhangs on stone and solid surface countertops.

### Counter Top Setting Instructions



NEVER set tops directly on plate or bracket at an angle when setting tops.

ALWAYS set tops from opposite side of stud wall or from front of cabinet.

**ISFA**  
INTERNATIONAL SURFACE FABRICATORS ASSOCIATION



Order online at [counterbalanceshop.com](https://counterbalanceshop.com) or call 1.800.220.1966

These are general guidelines for installation methods, and may not apply to your application. Always consult a qualified contractor and follow their recommendations for proper installation.

MADE IN USA

Chemical Concepts  
410 Pike Road  
Huntingdon Valley, PA 19006

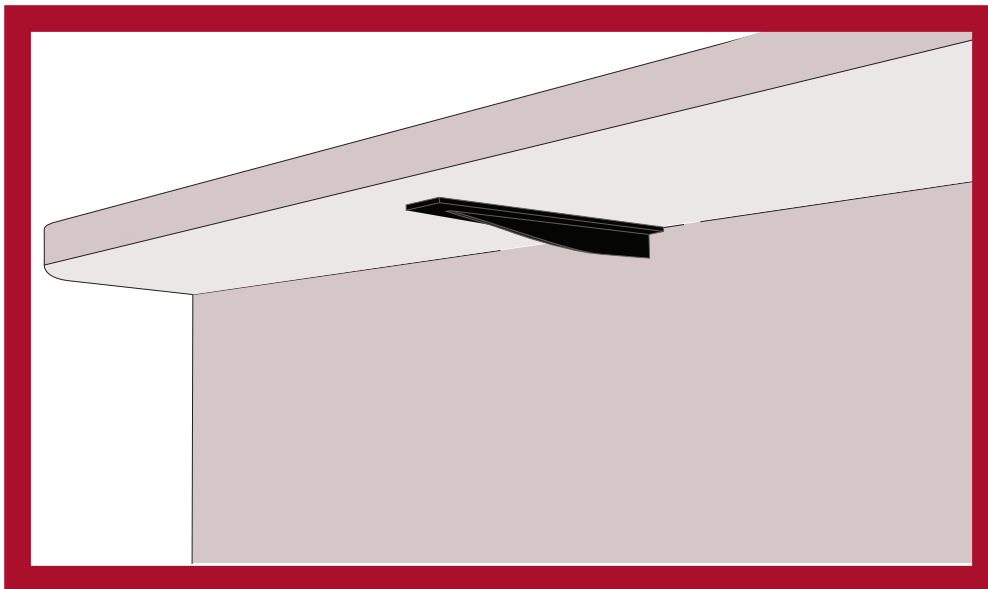
# Alternate "IslandBar / IslandBar Mini Installation Instructions 24" x 1.75" CCH-CBIB | 20" x 1.75" CCH-CBIBM

Although the preferred method of installation does require mounting the bracket to the sidewalls of the cabinet, in some cases you may need to install an IslandBar in the middle of a cabinet where there is no sidewall present.

## IslandBar | IslandBar Mini Alternate Install

- 1) Mark the location where the IslandBar is to be installed.
- 2) Trace the "T" profile of the bracket onto this location and mask the surrounding area.
- 3) Using a circular saw or oscillating multitool cut out the marked area and test fit the bracket as necessary.
- 4) Repeat for any additional brackets.
- 5) Place the IslandBar into position and quickly set the counter surface into position using the weight of the counter to keep the bracket in position.
- 6) Once the IslandBar is correctly positioned, lift the surface, apply a silicone sealant to the top of the bracket and replace the counter to complete the installation.

**When used with overhangs less than 15", the IslandBar and IslandBar Mini can be positioned further into the cabinet. Supports should be spaced no more than 16" to 20" apart for optimum performance.**



**Order online at [counterbalanceshop.com](http://counterbalanceshop.com) or call 1.800.220.1966**

These are general guidelines for installation methods, and may not apply to your application. Always consult a qualified contractor and follow their recommendations for proper installation.

MADE IN USA

Chemical Concepts  
410 Pike Road  
Huntingdon Valley, PA 19006

# CounterBalance®

CrossBar  
CrossBar Mini

18" x 18" x 1.75" | CCH-CBXBM  
24" x 24" x 1.75" | CCH-CBXB

## COUNTER

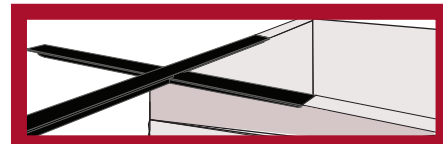
# BALANCE®

The support you don't see.

## Installation Instructions

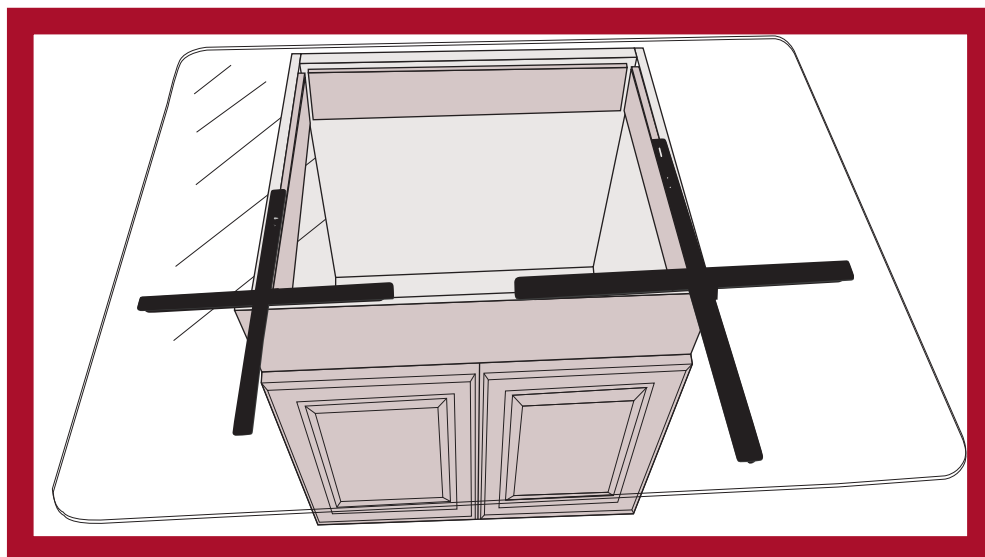
The CrossBar is designed to attach to the corners of cabinets, supporting overhangs in two directions on "island" and "peninsula" countertops above cabinetry. The CrossBar can support up to an 18" overhang in two directions. The CrossBar mini can support up to a 15" overhang in two directions.

### CrossBar & CrossBar Mini Routed Install

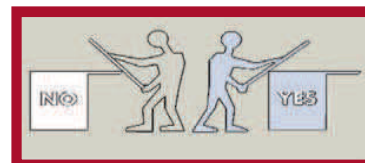


Check out our installation videos:  
[youtube.com/user/ShopCB](https://www.youtube.com/user/ShopCB)

- 1) Hold Crossbar or Crossbar Mini in position above the inside corner of the cabinet and mark on the cabinet where the leg ends on each side.
- 2) Using the router with 1/4" bit, router top of cabinet on each side to line.
- 3) Scribe a line onto the top side of the cabinet, where the slot will be cut to accept the vertical stiffener of the bracket. Repeat this on the other side of the cabinet for the second arm.
- 4) Using a circular saw set at a 1" depth, or an oscillating multitool, make a cut at each line.
- 5) Place bracket onto top of routed cabinet and mark points to drill pilot holes for the screws. Set bracket aside.
- 6) Drill pilot holes, place bracket back into position and attach with screws (not supplied).
- 7) Repeat for additional brackets. Brackets should be placed every 16-20" for optimum performance.
- 8) Apply a silicone sealant to the top of the brackets to secure them to the underside of the counter surface and set countertop into position. Rated up to 500 lbs.



### Counter Top Setting Instructions



NEVER set tops directly on plate or bracket at an angle when setting tops.

ALWAYS set tops from opposite side of stud wall or from front of cabinet.

Supports should be spaced no more than 16" to 20" apart for optimum performance

**CounterBalance CrossBar & CounterBalance CrossBar Mini** are designed to provide cost efficient, quick, easy installs to support overhangs.



Order online at [counterbalanceshop.com](https://counterbalanceshop.com) or call 1.800.220.1966

These are general guidelines for installation methods, and may not apply to your application. Always consult a qualified contractor and follow their recommendations for proper installation.

MADE IN USA

Chemical Concepts  
410 Pike Road  
Huntingdon Valley, PA 19006

# CounterBalance® CounterPlate Plus

CCH-CBPP

## COUNTER

# BALANCE®

The support you don't see.

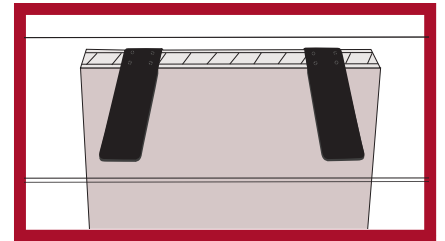
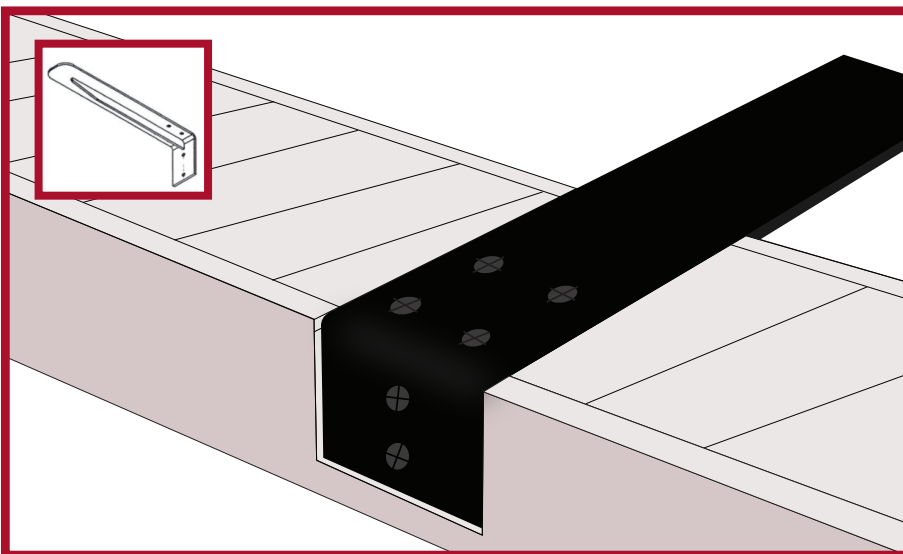
## Installation Instructions

The CounterPlate Plus is designed to attach to half walls or pony walls, supporting overhangs on breakfast bar style countertops. It has a 5" flange on the back of the bracket. The rear flange provides extra support in applications where additional support is desired.

### CounterBalance CounterPlate Plus Installation

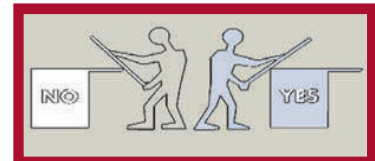
- 1) Using a circular saw, set to a depth of 1", cut a 1/4" wide crosscut notch in the top of the header board where the bracket will be located to accept the spine of the bracket.
- 2) Test, fit bracket in notch and trace shape on top and back of stud wall for routing. Place plate where support is needed and trace shape onto stud wall.
- 3) Using the router with 1/4" bit, router out traced shape on the top and rear of the stud wall. (you may need to cut out a section of drywall from the rear side of the wall to complete this.)
- 4) Place plate into routed area and mark holes for drilling, remove plate.
- 5) Drill pilot holes and place plate back into position and attach with the provided screws.
- 6) Conceal the rear flange of the bracket with back-splash or repair drywall.
- 7) Repeat steps as necessary for additional plates.
- 8) Apply a silicone sealant to the top of the brackets to secure them to the underside of the counter surface and set countertop into position. Rated up to 500 lbs.

Supports should be spaced no more than 16" to 20" apart for optimum performance



Check out our installation videos:  
[youtube.com/user/ShopCB](https://www.youtube.com/user/ShopCB)

### Counter Top Setting Instructions



NEVER set tops directly on plate or bracket at an angle when setting tops.

ALWAYS set tops from opposite side of stud wall or from front of cabinet.



Order online at [counterbalanceshop.com](http://counterbalanceshop.com) or call 1.800.220.1966

These are general guidelines for installation methods, and may not apply to your application. Always consult a qualified contractor and follow their recommendations for proper installation.

MADE IN USA

Chemical Concepts  
410 Pike Road  
Huntingdon Valley, PA 19006

# CounterBalance®

## Workstation Brackets

### CCH-CBWB

# COUNTER

# BALANCE®

The support you don't see.

## Installation Instructions

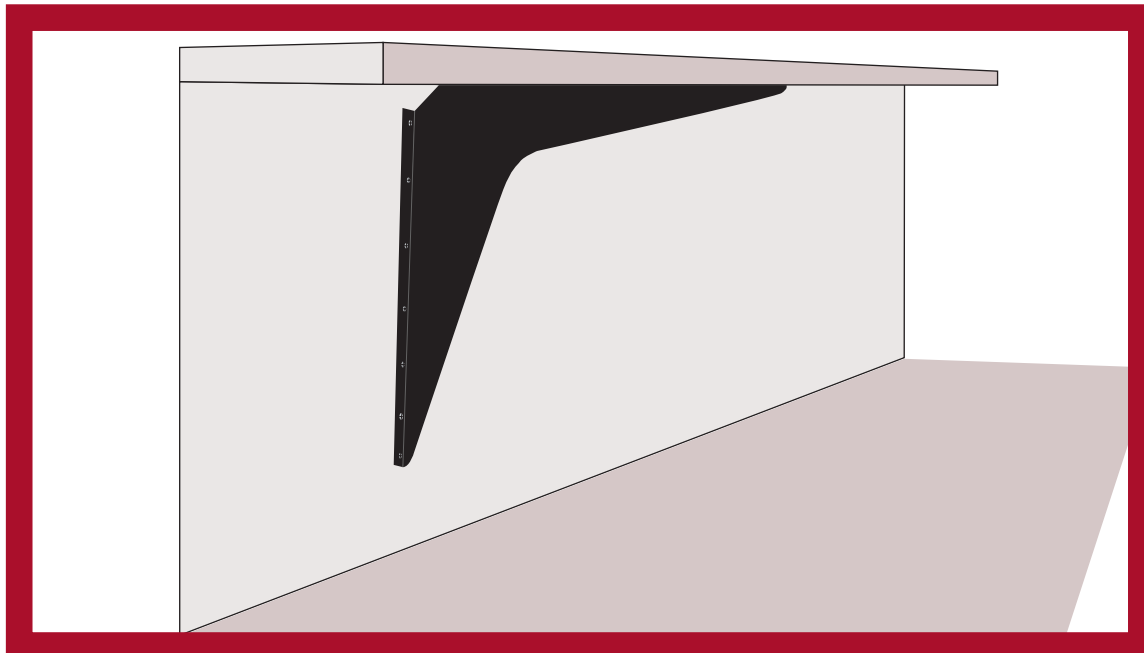
The CounterBalance Workstation Bracket provides cost-efficient, secure installs to support stone and solid surface countertops on handicap accessible vanities, and other "floating" work surfaces. These products are available in many useful sizes and come in a variety of colors to match your surface.

Check out our installation videos:  
[youtube.com/user/ShopCB](https://www.youtube.com/user/ShopCB)

### Workstation Bracket Install

- 1) Select the appropriate size bracket for your counter surface. The overhang should be maximum of 6" longer than the bracket and a minimum of 3" to reduce visibility. The Workstation Brackets are reversible so either leg can be used depending on desired length.
- 2) Locate the wall studs and hold the bracket directly over stud at the desired height. (Brackets must be installed into wall studs. Drywall anchors should not be used)
- 3) Mark on the wall the locations of the holes to be drilled, set the bracket aside.
- 4) Drill 3/16" pilot holes on the marked locations. Place bracket back into position and secure with 1/4" lag bolts. (not supplied) Check for level and shim if necessary.
- 5) Apply a silicone sealant to the top of the brackets to secure the counter surface to the brackets. Load limit range of 1,420 lbs. to 2,920 lbs. per pair.

Supports should be spaced no more than 16" to 20" apart for optimum performance



The **CounterBalance Workstation Brackets** are easy installs to support overhangs on stone and solid surface countertops. These products give your customers alternative to banging their knees on pricey corbels and provide superior support and security. These low-profile brackets are hidden from view offering a clean, modern look.



Order online at [counterbalanceshop.com](https://counterbalanceshop.com) or call 1.800.220.1966

These are general guidelines for installation methods, and may not apply to your application. Always consult a qualified contractor and follow their recommendations for proper installation.

Chemical Concepts  
410 Pike Road  
Huntingdon Valley, PA 19006

# CounterBalance®

## CornerPlate

11.75" x 11.75" | CCH-CBCP

# COUNTER

# BALANCE®

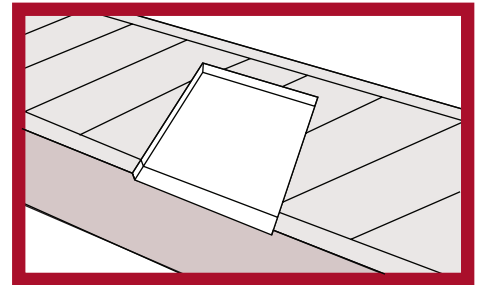
The support you don't see.

## Installation Instructions

The CornerPlate is designed to attach to stud walls, supporting overhangs on breakfast bars both forward and to the right or left of the half-wall opening. The CornerPlate can support up to a 13" overhang forward and up to a 14" overhang to one side.

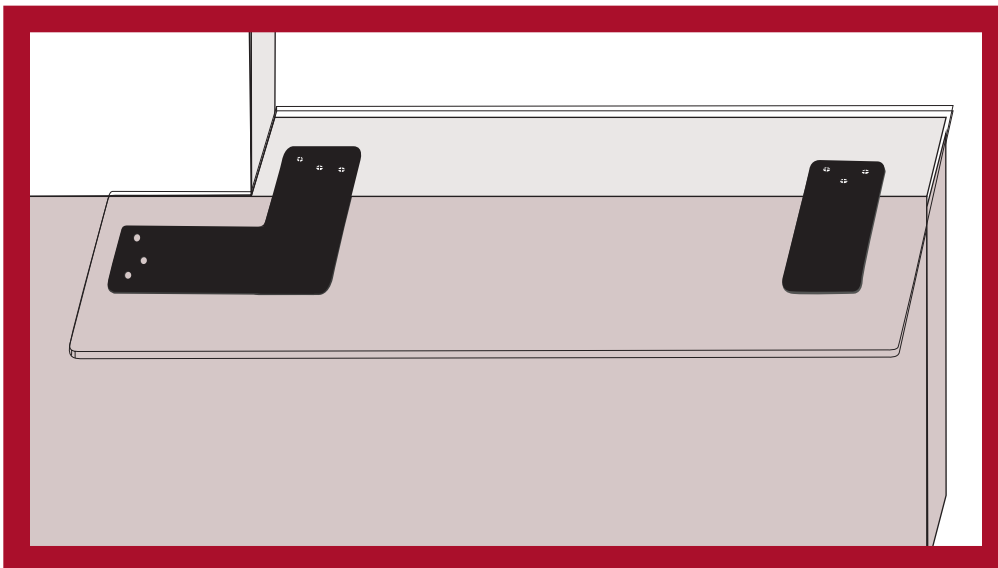
### CornerPlate Routed Install

- 1) Place plate where support is needed making sure to leave 1/2" of wood stud wall and trace shape into stud wall.
- 2) Using the router with 1/4" bit, router out traced shape.
- 3) Place plate into routed area and mark holes for drilling, remove plate.
- 4) Drill pilot holes and place plate back into position and attach with the provided screws.
- 5) Repeat steps as necessary for additional plates.
- 6) Apply a silicone sealant to the top of the brackets to secure them to the underside of the counter surface and set countertop into position. Rated up to 500 lbs.



Check out our installation videos:  
[youtube.com/user/ShopCB](https://www.youtube.com/user/ShopCB)

Supports should be spaced no more than 16" to 20" apart for optimum performance



### Counter Top Setting Instructions



NEVER set tops directly on plate or bracket at an angle when setting tops.

ALWAYS set tops from opposite side of stud wall or from front of cabinet.



The **CounterBalance CornerPlate** is designed to provide cost efficient, quick, easy installs to support overhangs on stone and solid surface countertops. These products give your customers alternative to banging their knees on pricey corbels and provide superior support and security. These low-profile brackets are hidden from view offering a clean, modern look.

Order online at [counterbalanceshop.com](https://counterbalanceshop.com) or call 1.800.220.1966

These are general guidelines for installation methods, and may not apply to your application. Always consult a qualified contractor and follow their recommendations for proper installation.

MADE IN USA

Chemical Concepts  
410 Pike Road  
Huntingdon Valley, PA 19006

# CounterBalance®

## ADA Bracket

CCH-CBADA21BL-IM

# COUNTER

# BALANCE®

The support you don't see.

## Installation Instructions

The CounterBalance® ADA Vanity Bracket is the handicap accessible solution for those tired of hitting their knees on most other sink fixtures.

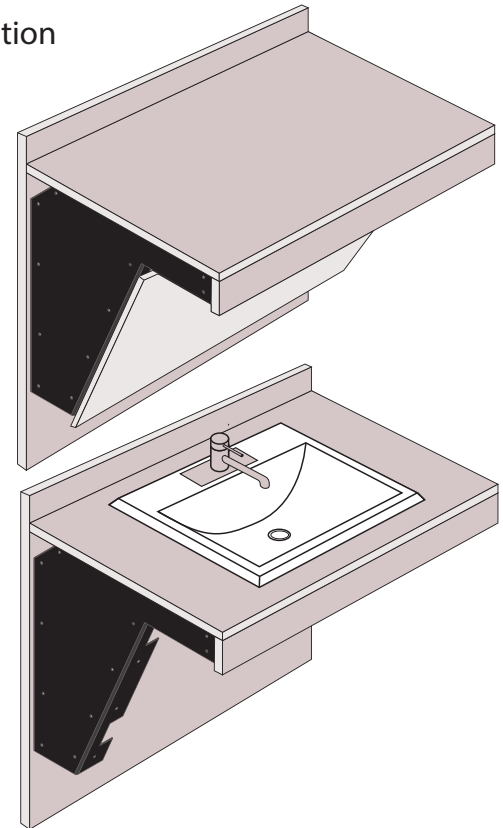
### ADA Bracket Install

- 1) Mount ADA Brackets to the wall securing it to meet local building code required loading requirements for the vanity front edge.

**Note:** Double studs or metal mounting plates are recommended for a stronger installation.

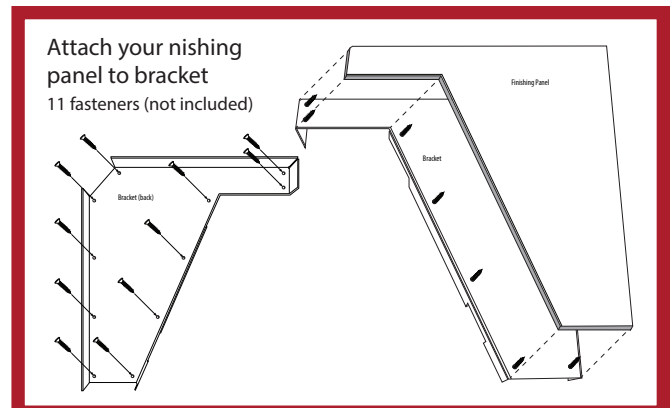
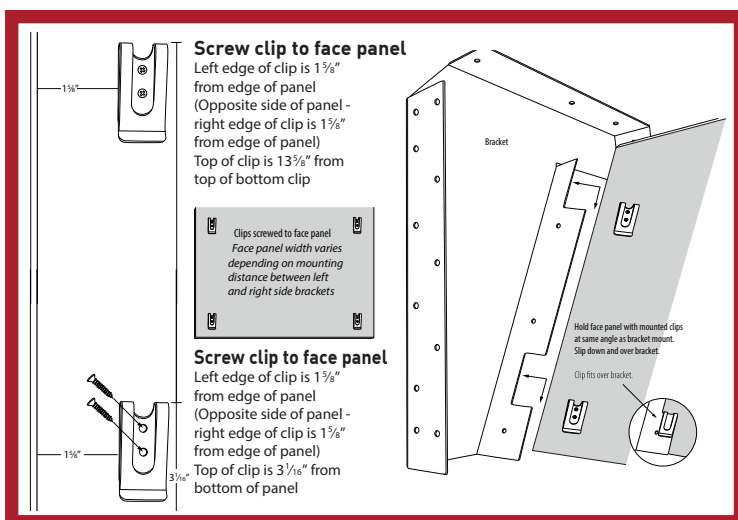
**Note:** Use ADA bowls when using the ADA Brackets

- 2) Install Spring Clips to the back of the Face Board
- 3) Spring Clips should be installed with 12 ¾ inches between the top of the top bracket and the top of the bottom bracket.
- 4) There will be some side to side allowance on the clip installation
- 5) Be sure to allow 1" clearance between the top of your Face Board and the bottom of the top portion of the bracket to allow the Face Board to slide up for removal



### ADA Bracket Spring Clip Installation Instructions Optional Finishing Panel Installation

(clips & screws supplied with brackets)



**ISFA**  
INTERNATIONAL SURFACE FABRICATORS ASSOCIATION



Order online at [counterbalanceshop.com](http://counterbalanceshop.com) or call 1.800.220.1966

These are general guidelines for installation methods, and may not apply to your application. Always consult a qualified contractor and follow their recommendations for proper installation.

Chemical Concepts  
410 Pike Road  
Huntingdon Valley, PA 19006



# CounterBalance®

Concealed / Extended  
Concealed Bracket

**CCH-CBCB | CCH-CBCBE**

**COUNTER**

**BALANCE®**  
The support you don't see.

## Installation Instructions

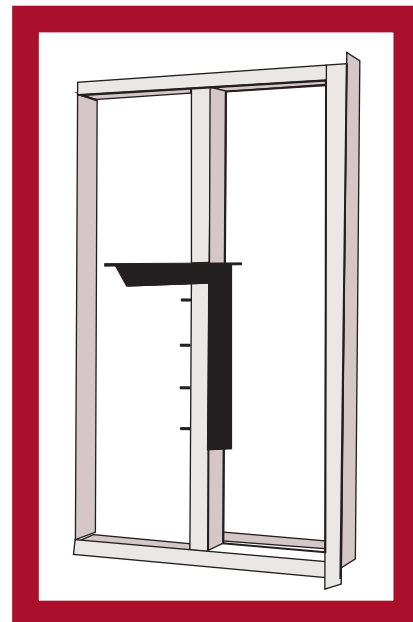
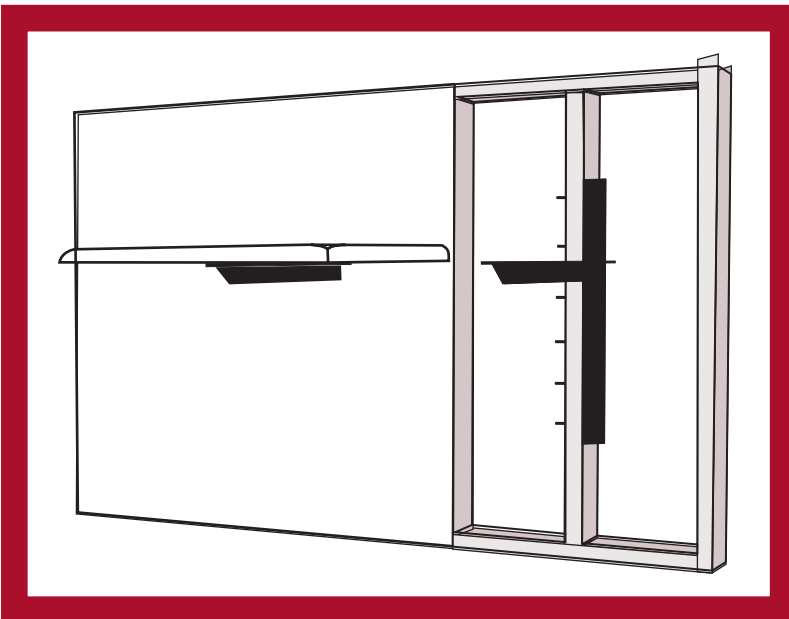
The Concealed / Extended Concealed Bracket are designed to attach to load-bearing studs. The Concealed / Extended Concealed Bracket can support an overhang extending 6" beyond the length of the bracket as per industry standard recommendations. These products are available in many useful sizes and come in a variety of colors to match your surface.

Check out our installation videos:  
[youtube.com/user/ShopCB](https://youtube.com/user/ShopCB)

### Concealed & Extended Concealed Bracket Install

- 1) Select the appropriate size bracket for your counter surface. The overhang should be maximum of 6" longer than the bracket and a minimum of 3" to reduce visibility.
- 2) The Concealed Bracket is designed to be attached to vertical wood studs behind drywall or other wall covering. For installation on a finished wall, first remove the wall covering in the area where the bracket is to be installed to gain access to the studs. For new construction, proceed to Step 3.
- 3) Place the bracket to the right of the stud at the desired height, flush with the surface of the stud, check for level and mark on the stud for each hole to be drilled.
- 4) Drill a 3/8" hole through entire stud at the locations marked.
- 5) Place bracket back into position and secure with supplied 3/8"-16 x 3" carriage bolts.
- 6) Repeat for additional brackets. Brackets should be placed every 16-20" for optimum performance. Install/patch drywall or other wall covering around installation area.
- 7) Apply a silicone sealant to the top of the brackets to secure them to the underside of the counter surface.

**Supports should be spaced no more than 16" to 20" apart for optimum performance**



The **CounterBalance Concealed & Extended Concealed Brackets** are easy installs to support overhangs on stone and solid surface countertops. These products give your customers alternative to banging their knees on pricey corbels and provide superior support and security. These low-profile brackets are hidden from view offering a clean, modern look.



**Order online at [counterbalanceshop.com](https://counterbalanceshop.com) or call 1.800.220.1966**

These are general guidelines for installation methods, and may not apply to your application. Always consult a qualified contractor and follow their recommendations for proper installation.

Chemical Concepts  
410 Pike Road  
Huntingdon Valley, PA 19006

# CounterBalance®

Hybrid Bracket

CCH-CBHB

COUNTER

BALANCE®

The support you don't see.

## Installation Instructions

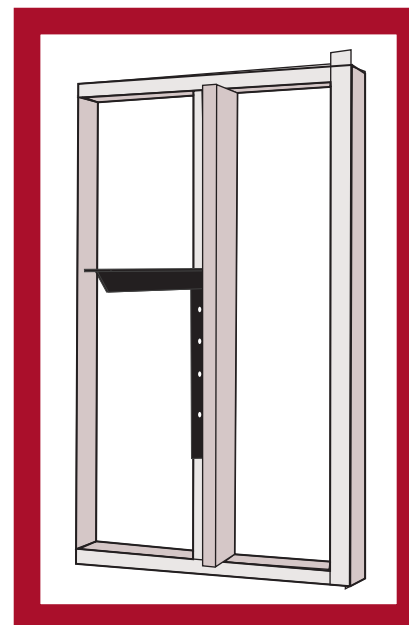
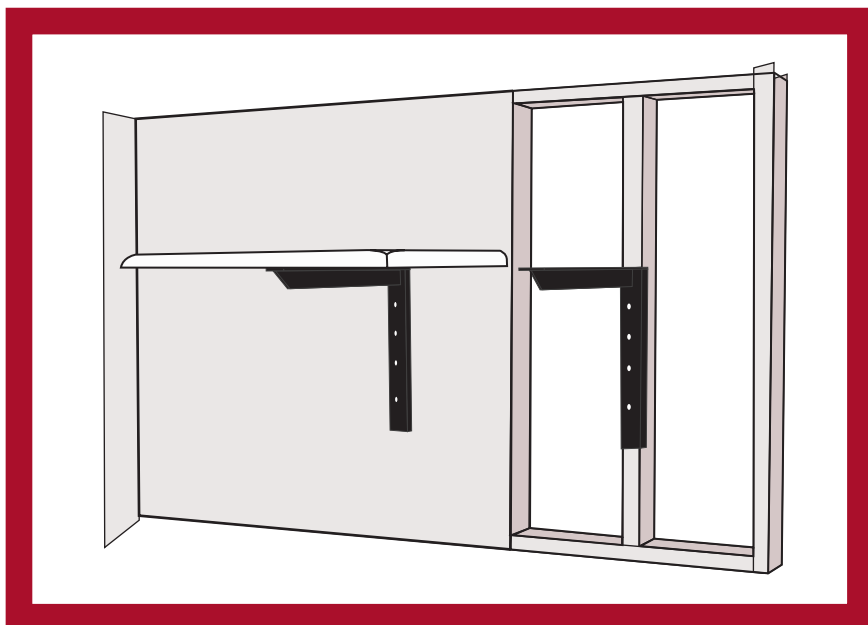
The CounterBalance Hybrid Bracket provides secure installs to support stone and solid surface countertops on handicap accessible vanities, and other "floating" work surfaces. The Hybrid Bracket can be installed either as a surface mount or a concealed bracket.

Check out our installation videos:  
[youtube.com/user/ShopCB](https://www.youtube.com/user/ShopCB)

### Hybrid Bracket Install

- 1) Select the appropriate size bracket for your counter surface. The overhang should be maximum of 6" longer than the bracket and a minimum of 3" to reduce visibility.
- 2) Locate the wall studs and hold the bracket directly over stud at the desired height.  
*(Brackets must be installed into wall studs. Drywall anchors should not be used)*
- 3) Mark on the wall the locations of the holes to be drilled, set the bracket aside.
- 4) Drill 3/16" pilot holes on the marked locations. Place bracket back into position and secure with 1/4" lag bolts.
- 5) Check for level and shim if necessary. Use included plastic caps to cover screw holes.
- 6) Repeat for additional brackets. Brackets should be placed every 16-20" for optimum performance.
- 7) Apply a silicone sealant to the top of the brackets to secure the counter surface to the brackets.

Supports should be spaced no more than 16" to 20" apart for optimum performance



The **CounterBalance Hybrid Bracket** is an easy install to support overhangs on stone and solid surface countertops. These products give your customers alternative to banging their knees on pricey corbels and provide superior support and security. These low-profile brackets are hidden from view offering a clean, modern look.



Order online at [counterbalanceshop.com](https://counterbalanceshop.com) or call 1.800.220.1966

These are general guidelines for installation methods, and may not apply to your application. Always consult a qualified contractor and follow their recommendations for proper installation.

Chemical Concepts  
410 Pike Road  
Huntingdon Valley, PA 19006